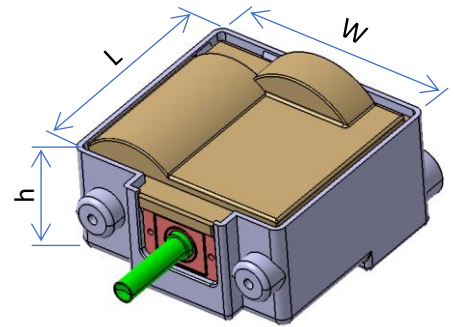


# Cable lock for power inlet

Advanced space efficiency on lock for power inlet by **compact and thin design.**

## Advantage 1 : Compact, low cost

Compact size is achieved by the optimized shape and functions.  
World smallest level (86% reduced in volume)

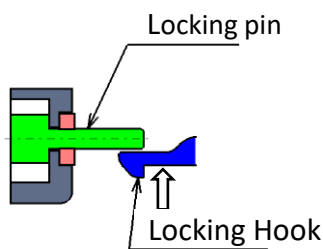


## Advantage 2 : Water proof

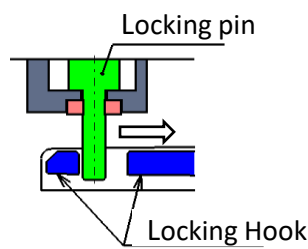
Protecting inner structure by preventing water proof design from entering water due to high-pressure washer, etc.

## Advantage 3 : Match to World-wide standards

JPN/North America : SAE standard ... Horizontal 4 mm diameter locking pin  
Europe : IEC standard ... Vertical 4.275 mm diameter locking pin  
China : GB/T standard ... Horizontal 4 mm diameter locking pin



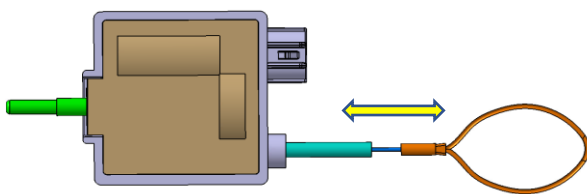
JPN/NA/China (horizontal)



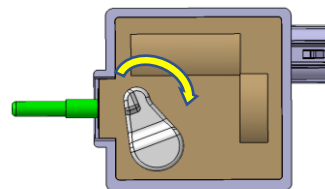
Europe (vertical)

## Advantage 4 : Emergency release

Emergency release operatable in case electrical problems such as a dead battery.  
(Depending on the mounting position, more low cost lever type is available)



Cable type

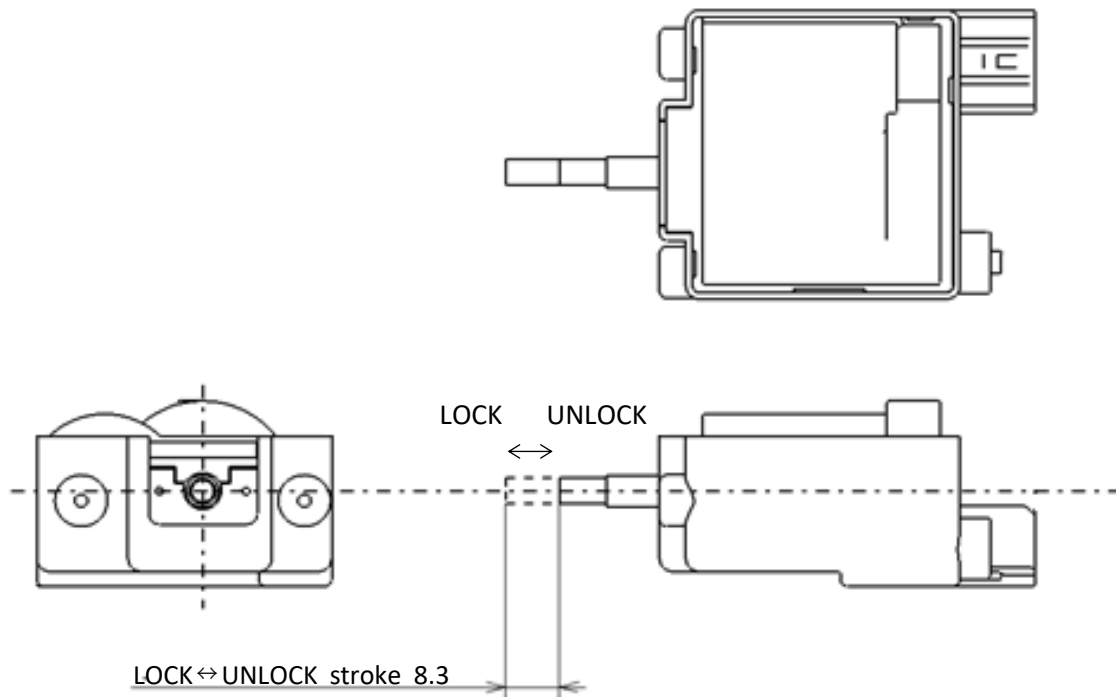


Lever type

Specification					
Rated voltage (V)	Operating temperature (°C)	Size L*W*H	Mass ※ (g)	Emergency release	Number of endurance
D.C.12V	-30~80	45*45*24	62	Cable type Lever type	More than 100,000 times

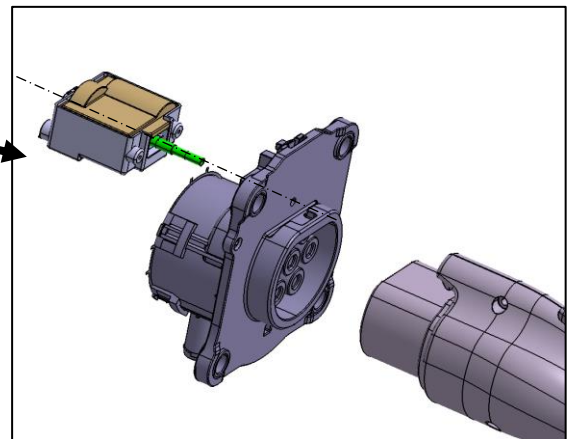
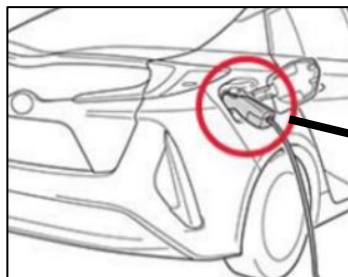
## Information

### Appearance/Operation



### Example of utilization

Cable lock for EV/PHEV to prevent pull-off while charging or theft.



### Development completed

Dec., 2023

● For inquiries regarding this product, please contact  
[lock-charge@exc.tokai-rika.co.jp](mailto:lock-charge@exc.tokai-rika.co.jp)

Vehicle mounting ... example

 TOKAI RIKA